

LYRIC™ ACOUSTIC MICROPHONE

INSTALLATION INSTRUCTIONS

WARNING!

Lyric must be installed by an authorized L.R. Baggs dealer to qualify for warranty coverage. Technical assistance will not be provided for home or hobbyist installations.

STEP 1. STRAPJACK / PREAMP INSTALLATION

Drilling the strapjack hole

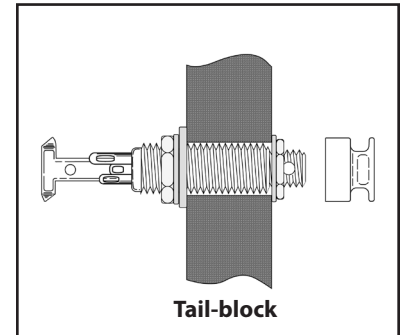
Drill a clean 1/2" hole in the tail-block for the strapjack. Remove wood shavings & dust from inside the guitar.

Installing the strapjack

Remove the strap ring, retaining nut and one washer from the end of the jack. There should still be one star locking washer, one flat washer and a nut remaining on the jack. Bring the jack down through the soundhole into the body and insert it into the pre-drilled hole in the tail block. Using the internal nut (be sure to include the flat and star washers), set the proper depth that will allow the entire smaller threaded section to protrude from the instrument (**see figure 1**).

With the jack in place, lay the remaining washer over the threads and attach the external retaining nut until it's tight. Finish by attaching the strap ring (it should cover the retaining nut and washer)

Figure 1

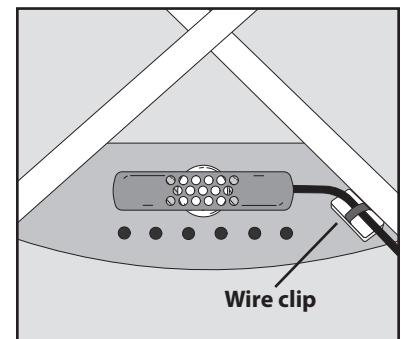


STEP 2. INSTALLING THE MICROPHONE

Lyric's microphone is designed to attach to the center of the guitar's bridge plate with the included peel-and-stick VHB adhesive. **CAUTION:** Only install the mic with the adhesive set provided. Do not use super glue as this can damage the mic. Attach the mic as shown in (**figure 2**). Unlike conventional soundboard transducers, Lyric's mic positioning is not highly critical, so repositioning the mic to find its optimum location will not be necessary. Reach inside the hole and clean around under the bridge to be sure the bridge plate is free from oil, dust and other debris. Remove the adhesive backing from the bottom surface and attach to the bridge plate. Be sure to attach the mic so that the wire is facing the bass side of the bridge. This direction will allow for a clean and simple wire routing to the preamp. Press up firmly along the top surface of the mic, especially on the ends to secure it. It's usually a good idea to press down on the bridge from the outside of the guitar as you press up on the mic from the inside to equalize pressure and avoid cracking the top. Gently wiggle the mic front to back as you press. Lastly, secure the wire with a clip near the mic (**see figure 2**).

If you ever need to remove the mic from the bridge plate, place as many fingers as you can fit behind its side and pull towards the neck with a little downward pressure. Before replacing the mic, make sure the adhesive pads are completely removed from the bridge plate.

Figure 2



STEP 3. FINISHING THE INSTALLATION

Battery placement

Place the battery bag in an easily accessible spot with the velcro pad included. Be sure to clean the area thoroughly before installation.

Volume remote placement

Find a suitable location near the top inner edge of the soundhole for the volume pot. Clean the area, peel off the backing from the adhesive and put the remote into place. Be sure that the tortoise shell cover fits concentric to the soundhole. Secure all wires with the wire clips provided and re-string the guitar.

Adjusting the Mic Presence Control

IMPORTANT! Setting this control correctly is vital for optimizing Lyric's sound and performance (**see figure 3 for location**). Play through a P.A. or good acoustic amplifier when making your adjustments with the tool provided. This control is highly responsive, so make subtle adjustments.

Your amplified tone should be well balanced and true to the acoustic sound and feel of the guitar. If it lacks clarity and top-end, increase the mic's presence by turning the control clockwise. Back it off slightly if you experience excessive handling noise and brightness.

Figure 3

